

Forming, cutting and wrapping machine for products in side fold.
An automatic comic strip supplement increases the point of sale attractiveness of the wrapped product.

EW8



Side Fold with comic strip

Products

- Chewy Sweets
- Chewing Gum

Output

- up to 600 products/min

Product dimensions



Length: 20–45 mm
Width: 12–25 mm
Height: 5–16 mm
Width: Height > 1,5



EW8

Wrapping material

- Wax paper

Material dimensions

- Reel diameter: up to 350 mm
- Reel width: up to 136 mm
- Core diameter: 75 mm

Utilities

- Connected load: 5 kVA
- Cooling water consumption: 0,15 m³/h

Measurements

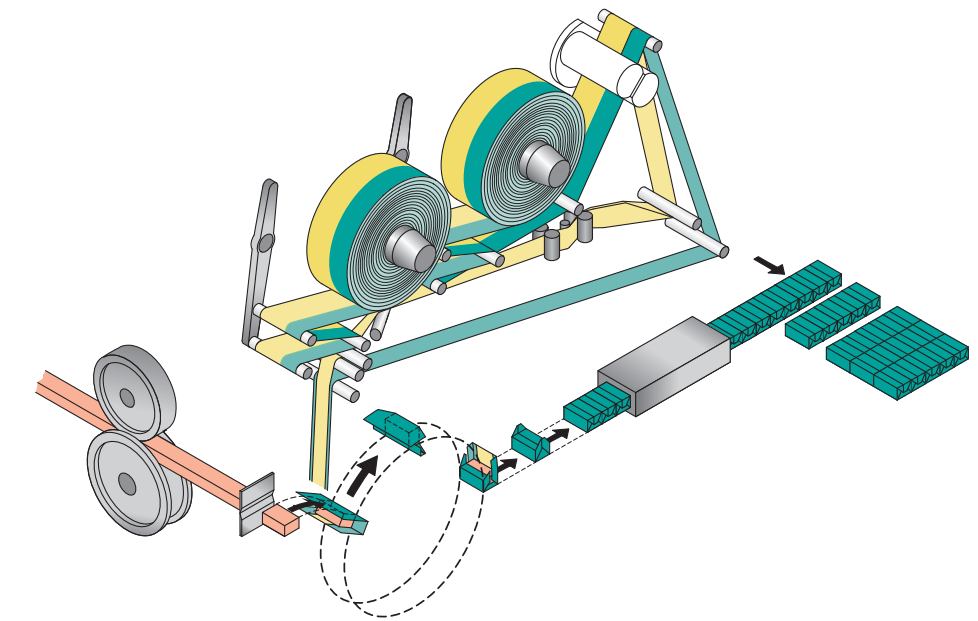
- Length: 1570 mm
- Width: 1185 mm
- Height: 1810 mm
- With grouping device:
 - Length: 1730 mm
 - Width: 2065 mm
 - Height: 1810 mm

Weight

- 1250 kg

Combination

The machine can be synchronized with an appropriate extruder and cooling tunnel.



Special features

- PLC control
- rope feeding unit to produce products of rectangular shape
- Photo-electric print registration
- outer wrapper and under strip is fed from one reel and is separated on the machine by means of a rotating knife
- Saving of wrapping material by "no product – no paper" -device
- Automatic temperature control of the sealing units for longitudinal seam and end fold
- Additional cooling of the sealed areas
- Machine stop in case of accumulation of mass rope or wrapping material troubles
- Automatic lifting of the heating plates in case of machine stops
- All electrical and electronic elements are integrated in the machine

- Due to the automatic operation, several machines can be handled by one operator
- Excellent accessibility for operation, maintenance and cleaning purposes
- System of protection: IP 54

Options

- Automatic adjustment of the machine speed via rope control unit
- The comic strip can be replaced by stickers, tattoos, etc. (separate material reel)
- Grouping device at the discharge to facilitate manual take-off